

## Model P002 Piston Flow Meter (Frequency) 0.5 cc/min to 2000 cc/min

### SPECIFICATIONS

Flow Range	0.5 cc/min to 2000 cc/min
Accuracy (at 3 cP)	± 0.2% of reading over a 200:1 range
Maximum Operating Pressure	7250 psi (500 bar)
Weight	1.9 kg
Recommended Filtration	10 micron
Port Size	#4 SAE
Fluids	Most non-aqueous, hydrocarbon based fluids

### MATERIALS OF CONSTRUCTION

External	Stainless steel, type 303
Wetted	Stainless steel, type 303, 440C, 17-4
O-Rings	Standard: Viton® Optional: Perfluoroelastomer

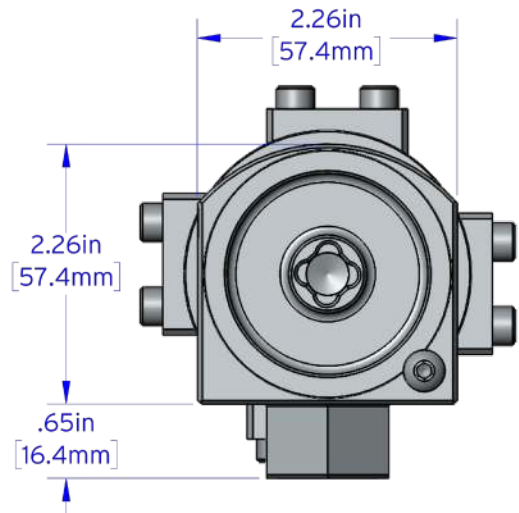
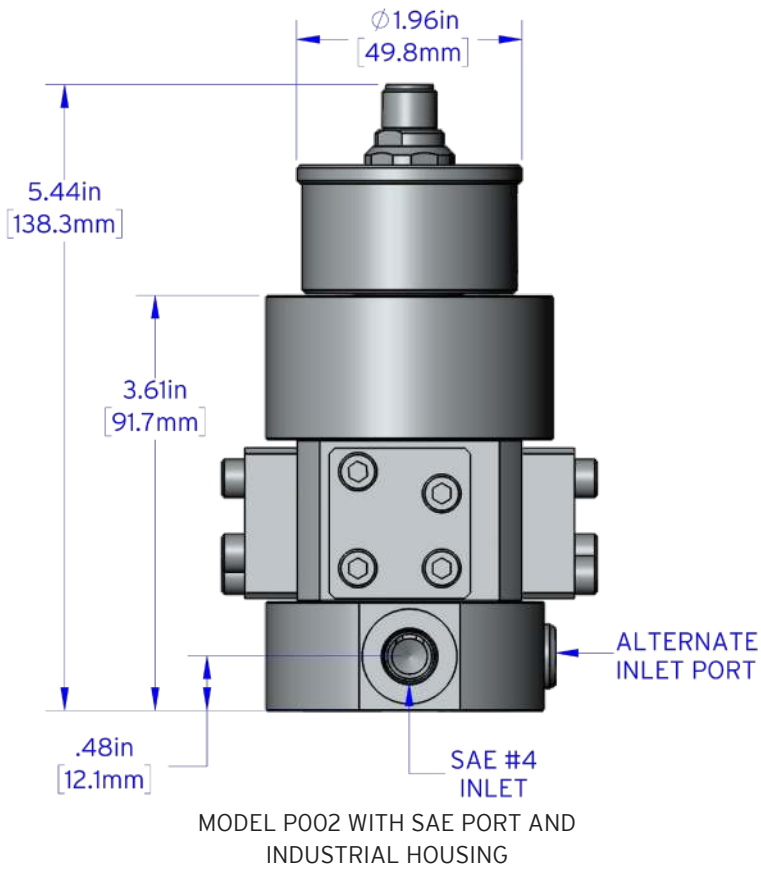
### FREQUENCY TRANSMITTER

Output Signal	Standard: 5 Vdc, single phase Optional: Quadrature 5 Vdc, two phase Current sinking, 20 mA max., single phase
K-Factor	Single Phase: 1,000 pulses/cc Two Phase: 2,000 pulses/cc, 4x decoded (500 pulses/cc/phase, 1x decoded)
Power Supply Requirements	5-26 Vdc @ 30ma
Ambient Operational Range	-40°C to 80°C, Single piece – Two piece to 110°C
Metered Liquid Temp Range (based on 20° ambient)	-40°C to 90°C, Standard model -40°C to 155°C, Two piece high temperature model -40°C to 225°C, Two piece, ultra high temperature model
Compliance	CE Certified, Ex-proof version available with ATEX/IECEx II 2 G Ex db IIB Tx Gb as as UL, cUL certification for Class 1, Division 1, Groups C and D, Tx

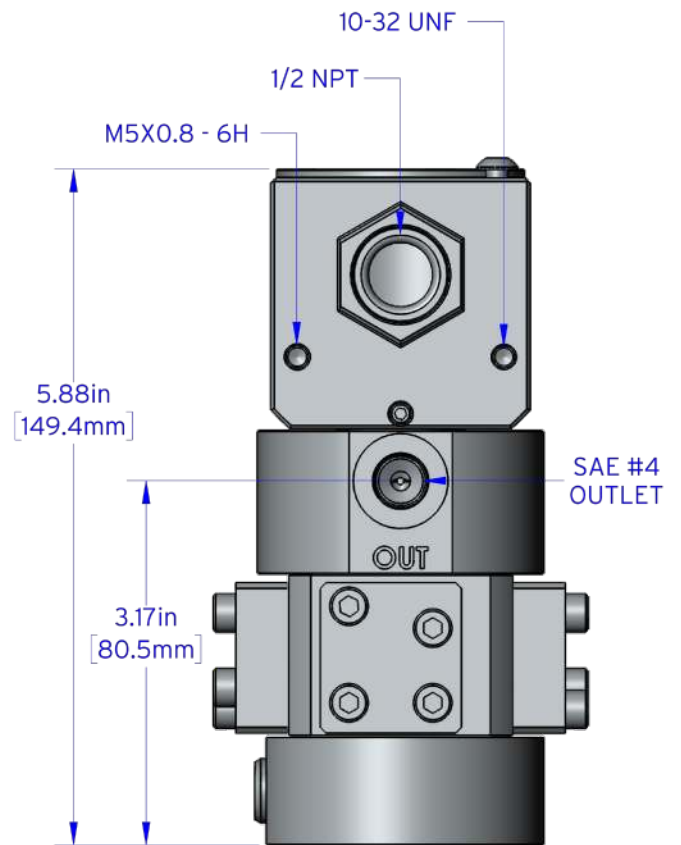


# Model P002 Flow Meter (Frequency)

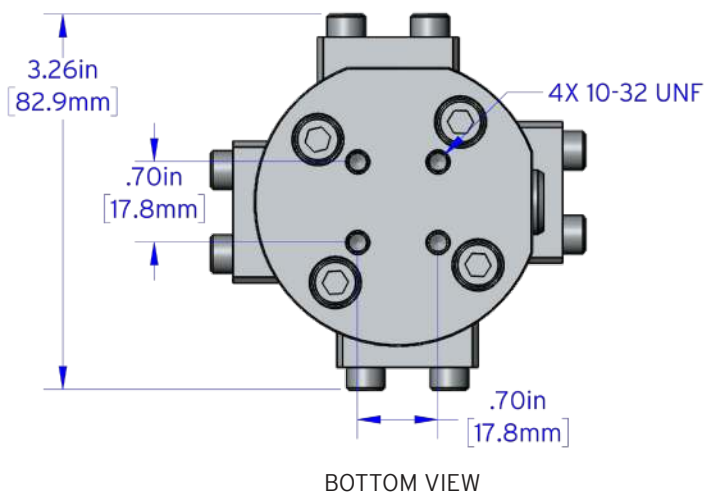
DIMENSIONS (Not to scale)



EX-PROOF HOUSING  
TOP VIEW

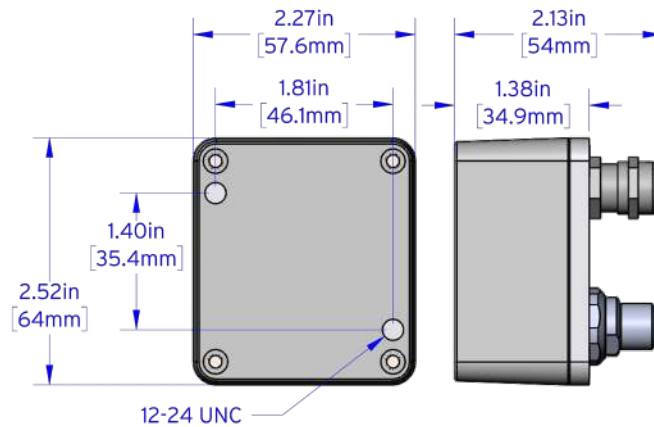


MODEL P002 WITH SAE PORT AND EX-PROOF HOUSING



# Model P002 Flow Meter (Frequency)

DIMENSIONS (Not to scale)



REMOTE PCA ENCLOSURE FOR HIGH TEMPERATURE TRANSMITTERS

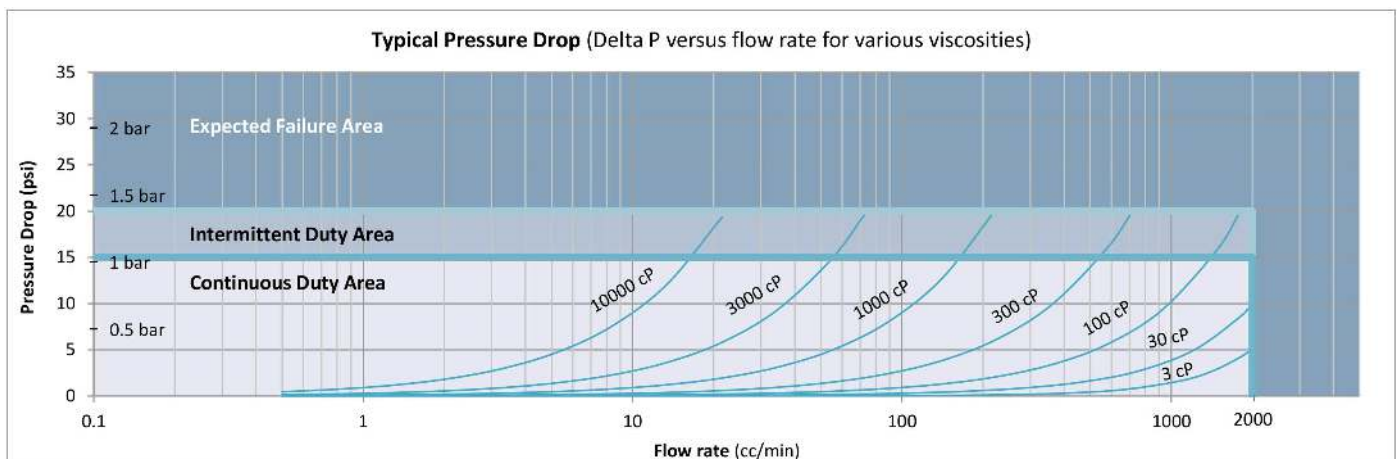
(Not Shown: Industrial 2 meter interconnect cable included, Ex-Proof user supplied interconnect cable required)

## CONNECTIVITY

### ELECTRICAL CONNECTION – FREQUENCY TRANSMITTERS

	Turck® Connector		
	PCA Label	Pin #	Mating Cable Wire Color
Power (+5 to 26 Vdc)	V+	1	Brown
Common	Com	4	Black
Pulse Output	Ph A	2	White
Output Phase B (Quad only)	Ph B	5	Grey
Case Ground	Case	3	Blue

## PRESSURE DROP GRAPH





Max Machinery, Inc.  
an ISO 9001:2015 certified company

# Positive Displacement Flow Meters

## Piston Type, P-Series 7250 psi (500 bar) rated

Flow Meter Selections      Transmitter Selections

Model #   HS    /    /  1 -  Non-Standard Options

Bi-Directional Cal: BID

### Max Flow Range

0.2 Liters/Min	P001	3
2 Liters/Min	P002	2

### Pressure

7250 psi (500 bar)	HS
--------------------	----

### Fluid Connection

SAE	2
1/4" and 6mm Tube	3

### Seal Selection

Viton® - FKM	1
Perfluoroelastomer - FFKM	5

### Options

None	NA
------	----

1	Transmitter Type
A	A 4-20mA Output - Powered by 24 Vdc
A	B 4-20mA Output - Powered by 12 Vdc
A	C 0-10 Volt Output - Powered by 24 Vdc
A	D 0-10 Volt Output - Powered by 12 Vdc
P	N 5V Pulse/Freq. - Powered by 5-26 Vdc
Q	N 5V Quadrature - Powered by 5-26 Vdc
P	S Current Sinking, Single Phase

### Temperature Rating

1	90°C Industrial, 75°C Haz-Loc
2	155°C Ind./ 130°C Haz-Loc, 2 Part**
3	225°C -Industrial, 2 Part †

### Electrical Connection

1	Industrial, Turck® Connector
2	Hazardous Location, 1/2 Inch Conduit*

### Signal Type

P	Pulse
A	Analog
Q	Quadrature



\* See temp chart in product manual.  
 \*\* Receiver portion of 2 part transmitters are not rated Ex-Proof, consult factory.  
 \*\*\* Teflon not used above 90°C for this high pressure rated product.  
 † Not available for hazardous location use. (Exceeds 130°C temp. Limit.)  
 Product includes single directional calibration, bi-directional calibrations for Analog and Quadrature devices are optional.